

Lyon Products

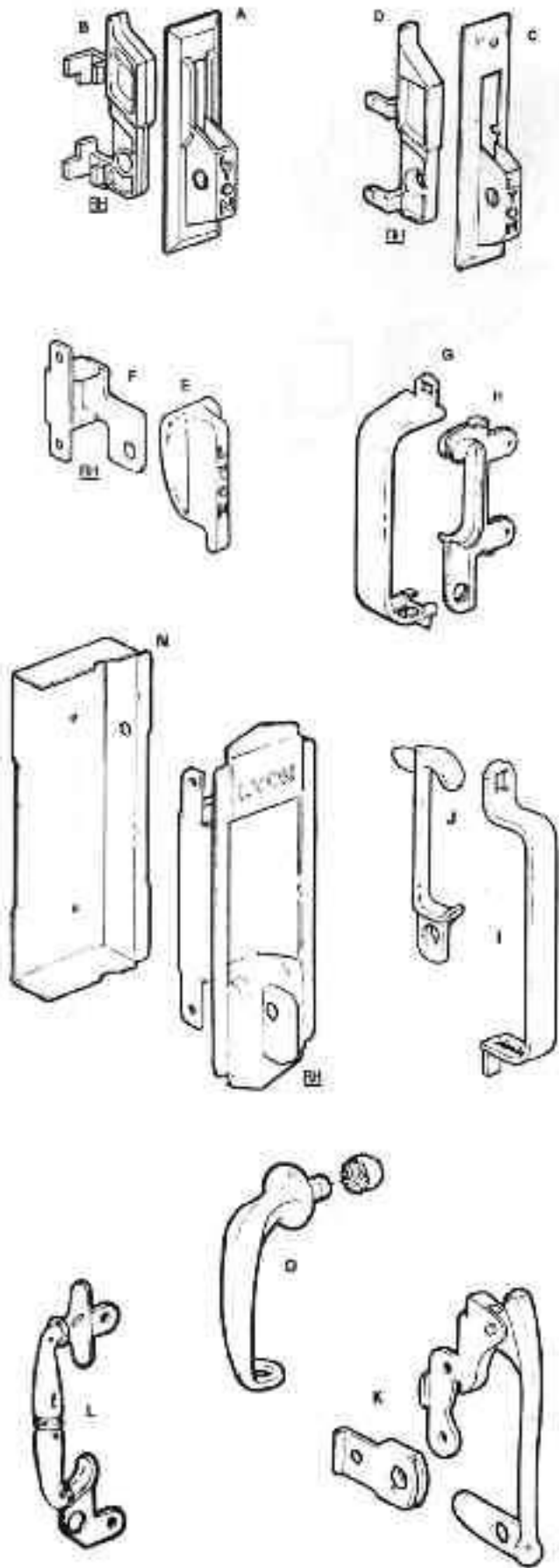
A. #40301	DoorJamb
B. #40303 (R.H.) / #40304 (L.H.)	DoorJamb
C. #40305 (R.H.) / #40306 (L.H.)	DoorJamb
D. #40307	DoorJamb
E. #40309 (R.H.) / #40310 (L.H.)	DoorJamb
F. #40311	DoorJamb
G. #40313	DoorJamb
H. #40315	DoorJamb
I. #40317	DoorJamb
J. #40319	DoorJamb
K. #40321 (R.H.) / #40322 (L.H.)	DoorJamb
L. #40323	DoorJamb
M. #40701	Box Locker Pull
N. #40703	Roll Point Catch
O. #41101	Hinge
P. #40707 (R.H.) / #40708 (L.H.)	Padlock Attachment
Q. #40501	Spring-Actuated Latch
R. #41507	Spring for S. A. Latch
S. #40503	Gravity Latch
T. #48001	Number Plate

LYON Door & Frame and Body Parts are available — please see us for these. Replacement Lock Bars are also available.

LYON PRODUCTS

Lyon Products

- A. #40101 Handle Housing
- B. #40103 (R. H.) / #40104 (L.H.) Handle Lift
- C. #40105 Handle Housing
- D. #40107 (R. H.) / #40108 (L.H.) Handle Lift
- E. #40109 Handle Housing
- F. #40111 (R. H.) / #40112 (L.H.) Handle Lift
- G. #40113 Rolled Edge Handle Guide
- H. #40114 Rolled Edge Handle Lift
- I. #40115 Flat Strap Handle Guide
- J. #40116 Flat Strap Handle Lift
- K. #40117 3-Piece Cast Brass Handle
- L. #40119 Durand No.6 Handle
- M. #40121 Sheet Metal Handle
- N. #40122 Cover Plate for S. M. Handle
- O. #40125 Expanded Metal Locker Handle



LYON Door & Frame and Body Parts are available — please see us for these. Replacement Lock Bars are also available.