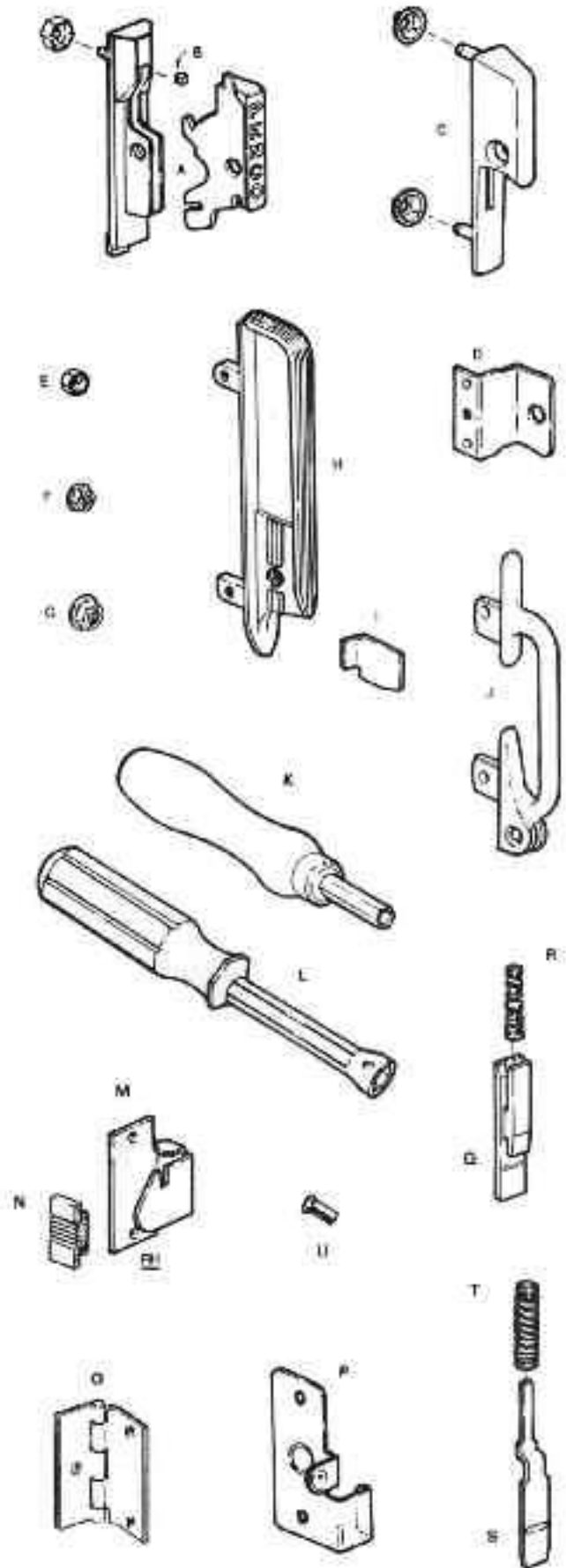


# PENCO PRODUCTS

## Penco Products

- A. #60101 Vanguard Handle, 2-Piece
- B. #61301 Bumper for Vanguard Handle
- C. #60103 Finger Lift Handle, 1-Piece
- D. #60104 Padlock Staple
- E. #62003 Palnut, Smallest Size
- F. #62001 Palnut, Medium Size
- G. #62005 Palnut, Largest Size
- H. #60105 Penn Metal Handle
- I. #60107 Penn Metal Padlock Hasp
- J. #60701 Penn Metal Handle
- K. #63002 Palnut Tool, Smallest Size
- L. #63001 Palnut Tool, Medium Size
- M. #60301 (R. H.) / #60302 (L. H.) Latch Hook
- N. #61303 Bumper for Latch Hook
- O. #61101 Hinge
- P. #60703 Box Locker Door Pull
- Q. #60501 Nylon Latch Clip
- R. #61501 Coiled Spring for N. Clip
- S. #60503 Steel Latch Clip
- T. #61503 Coiled Spring for S. Clip
- U. #62007 Spiral Pin for Lock Bar



PENCO Door & Frame and Body Parts are available — please see us for these. Replacement Lock Bars are also available.